

Operating instructions

Gain control: This control increases the amount of distortion produced by the effect. Higher settings will also yield greater presence in the treble response. If you experience power supply sag at high gain settings (a sound similar to that of a dying battery), it can be resolved by placing the Thunder Pup first in the signal chain, connected directly to the guitar.

Volume control: In addition to controlling the volume level of the effect, this dial will increase the bass response at higher settings, and reduce it at lower settings.

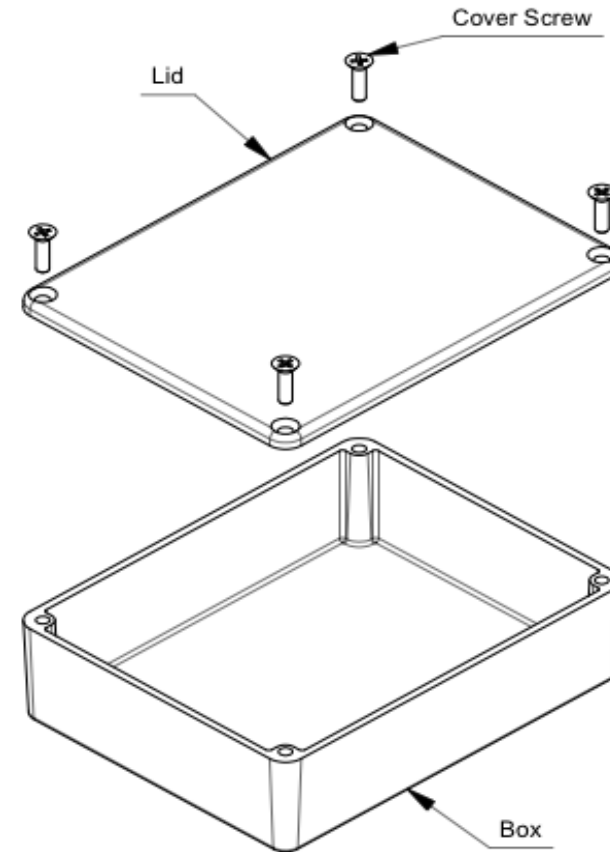
Toggle switch: The Big Amp setting delivers a huge bass response with an aggressive overdrive. At high gain settings it will produce a warm, natural compression. The Little Amp setting has the bright crunch of an open back combo. It is less distorted in the bass frequencies and has plenty of bite, reacting very well to a harder pick attack.

Specification

Net weight:	0.330 KG
Enclosure dimensions:	A. 119 MM B. 94 MM C. 30 MM
Enclosure construction:	DIE CAST ALUMINIUM
Switching:	BUFFERED BYPASS
Power requirements:	I. 9VDC PSU II. PP3 BATTERY

Replacing the battery

N.B. The battery will be activated when a jack lead is connected to the input socket, and deactivated when a PSU is connected to the power socket.



Manufacturer:	BIGFOOT ENGINEERING LTD.		
Model:	THUNDER PUP		
Date:	14.10.13		
Revision:	1.0	Sheet:	1 OF 1