

## Operating instructions

**Gain control:** This control will increase the amount of distortion produced by the effect. At higher settings you will hear a stronger treble response, which will soften at lower settings. Increase the gain control to bring up the natural compression for a highly sensitive and detailed tone, or back it off to increase the headroom for more dynamic and articulate playing and a mellower sound.

**Volume control:** In addition to controlling the volume level of the effect, this dial will increase the bass response at higher settings, and reduce it at lower settings. There is a powerful volume boost available from the King Fuzz, and it can be used to push your amplifier into breakup. Try a low gain/high volume setting to yield a larger than life distorted tone.

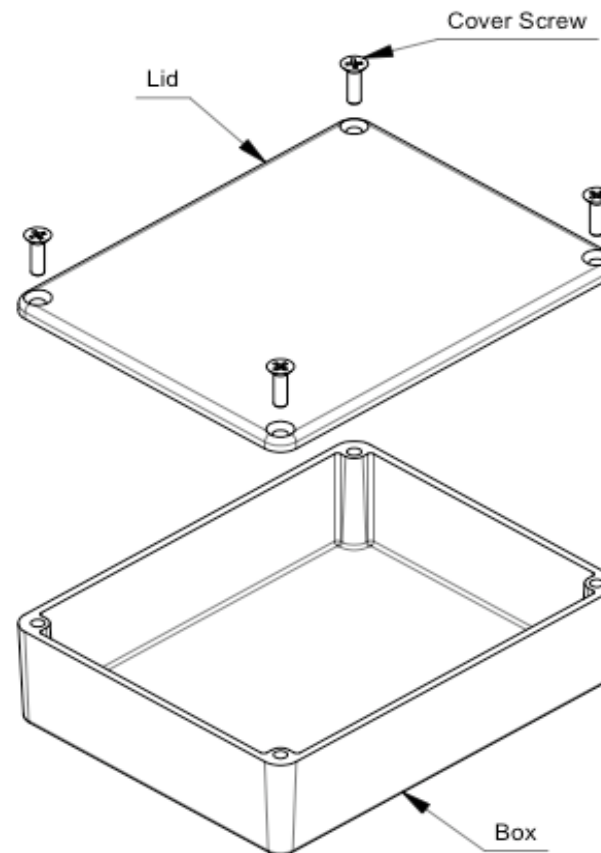
An initial setting of both dials pointed at 11 o'clock is recommended.

## Specification

Net weight:	0.340 KG
Enclosure dimensions:	A. 119 MM B. 94 MM C. 30 MM
Enclosure construction:	DIE CAST ALUMINIUM
Switching:	BUFFERED BYPASS
Power requirements:	I. 9VDC PSU II. PP3 BATTERY

## Replacing the battery

**N.B.** The battery will be activated when a jack lead is connected to the input socket, and deactivated when a PSU is connected to the power socket.



Manufacturer:	BIGFOOT ENGINEERING LTD.		
Model:	KING FUZZ		
Date:	15.10.13		
Revision:	1.0	Sheet:	1 OF 1